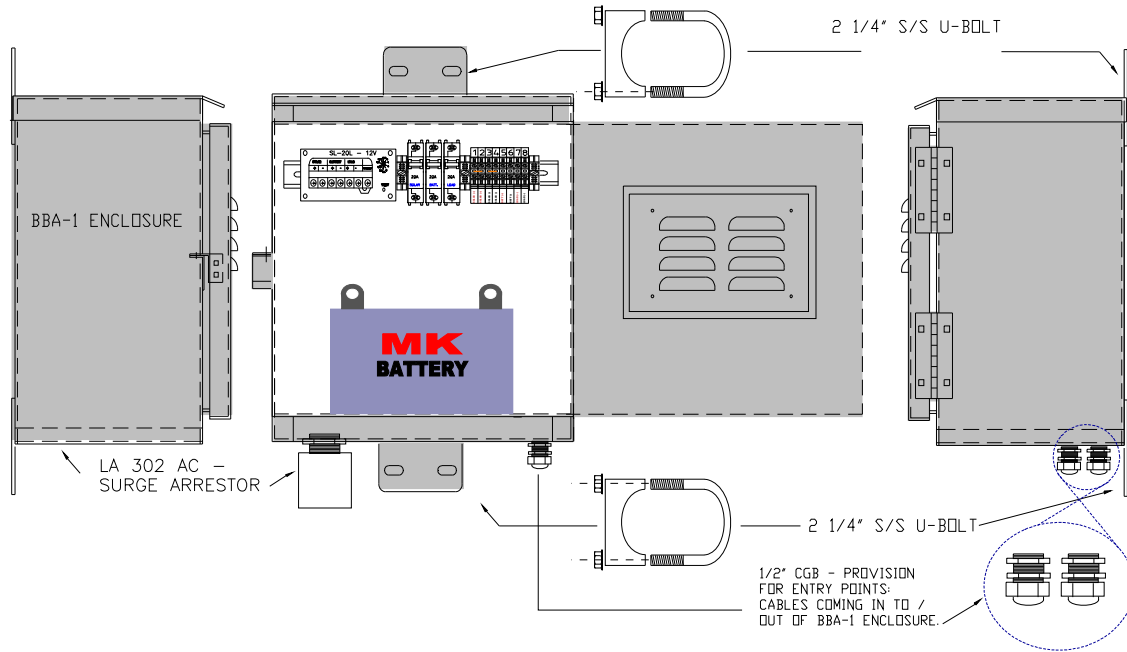


## BBA-1 BATTERY ENCLOSURE





4

3

2

1

10.125in

16.25in

16.25in

HASP ATTACHED TO DOOR

HASP ATTACHED TO BODY

SIDE VIEW OF ASSEMBLED HASP  
SCALE 2.5:1

NOTES:

- 1. CABINET DIMENSIONS INSIDE: 16"H X 16"W X 10"D
- 2. STAINLESS STEEL PAD LOCKABLE HASP.
- 3. STAINLESS STEEL HINGE.
- 4. SCREENED LOUVERS ON DOOR FOR VENTILATION.
- 5. 13.000 X 14.125 BACK PANEL.

**AMERESCO SOLAR**  
Green • Clean • Sustainable

TITLE  
BBA-1M ALUMINUM ENCLOSURE

SIZE	CAGE CODE	DWG NO	REV
B			0

SCALE DO NOT SCALE	SHEET 1 OF 1
-----------------------	-----------------

PURCHASE ORDER NO.	TBD
--------------------	-----

DOCUMENT CODE	06
---------------	----

DOCUMENT NO.	TBD	001
--------------	-----	-----

NOTES

FILE NAME: .../Bison/BBA-1M.txd

4

3

2

1

## BBA-2 BATTERY ENCLOSURE

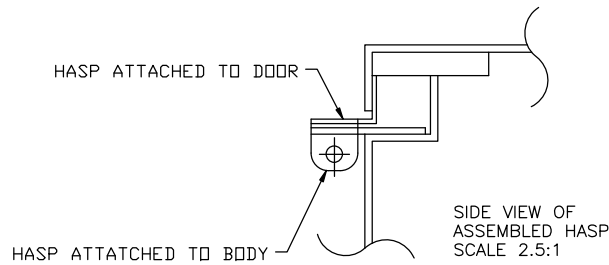
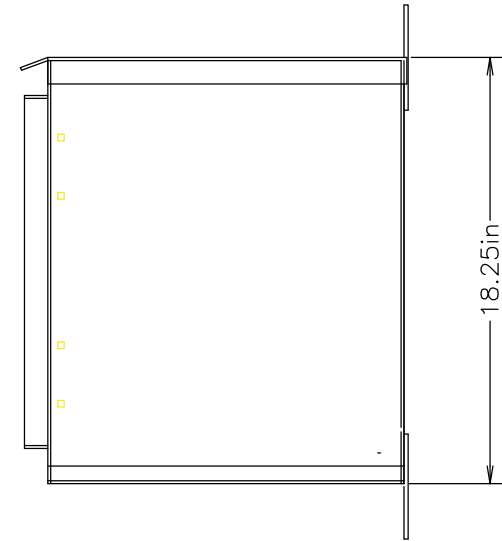
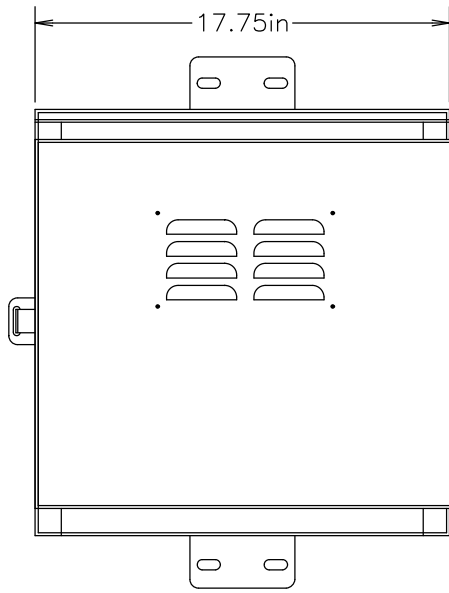
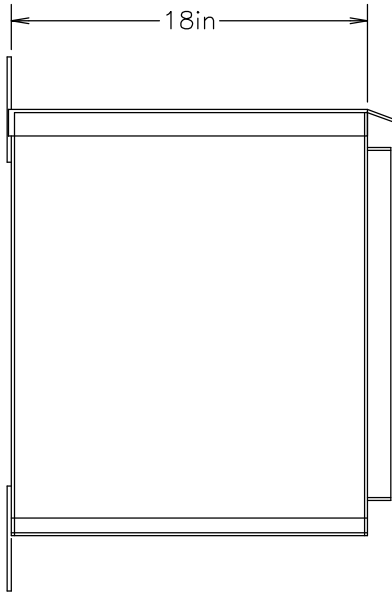


4

3

2

1



- NOTES:
1. CABINET DIMENSIONS INSIDE:  
18"H X 17 1/2"W X 17 7/8"D
  2. STAINLESS STEEL PAD LOCKABLE HASP.
  3. STAINLESS STEEL HINGE.
  4. SCREENED LOUVERS ON DOOR FOR VENTILATION.
  5. 14.500 X 15.000 X .125 ALUM. BACK PANEL.

NOTES

<b>AMERESCO SOLAR</b> Green • Clean • Sustainable			
TITLE BBA-2 ALUMINUM ENCLOSURE			
SIZE	CAGE CODE	DWG NO	REV
B			0
SCALE DO NOT SCALE		SHEET 1 OF 1	
PURCHASE ORDER NO.		TBD	
DOCUMENT CODE		06	
DOCUMENT NO.		TBD	001

FILE NAME: .../Bison/BBA-2.tdw

4

3

2

1

## BBA-3 BATTERY ENCLOSURE



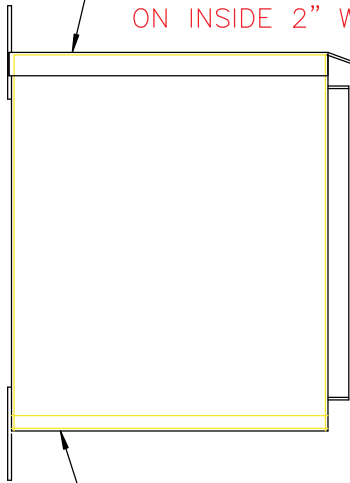
4

3

2

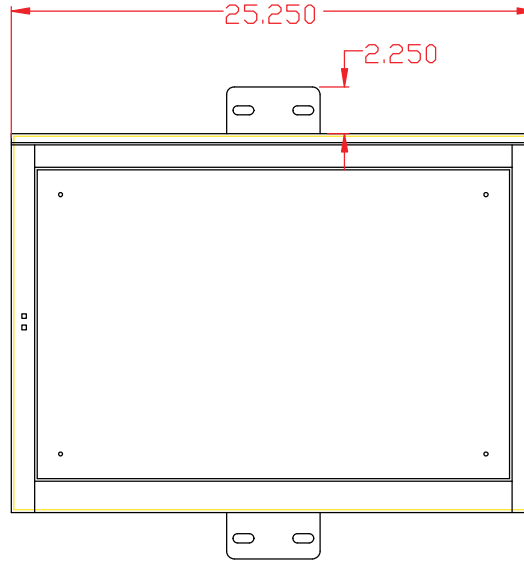
1

TOP FITS ON OUTSIDE OF BODY STITCH WELD ON INSIDE 2" WELDS

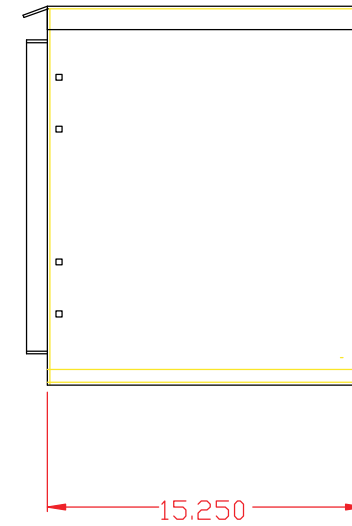


BOTTOM FITS ON INSIDE OF CAB- STITCH WELD TO BODY W/ 2" WELDS

25.250  
2.250



WELD ALL THE WAY ACROSS POLE MOUNTING BKT THIS SIDE



WELD DOWN BOTH SIDES OF POLE MOUNTING BKT ON BACKSIDE

**AMERESCO SOLAR**  
Green • Clean • Sustainable

TITLE

**BBA-3**

SIZE	CAGE CODE	DWG NO	REV
<b>B</b>			<b>1</b>

SCALE	SHEET
DO NOT SCALE	1 OF 1

NOTES

PURCHASE ORDER NO.	N/A		
DOCUMENT CODE	N/A		
DOCUMENT NO.	N/A	N/A	

4

3

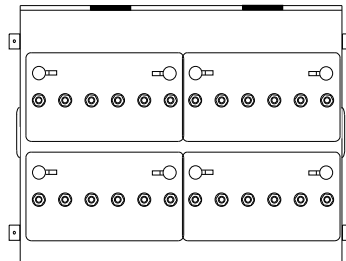
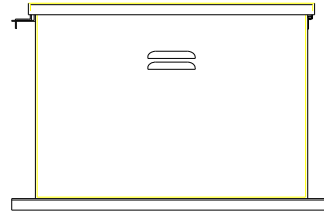
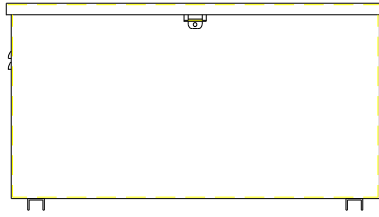
2

1

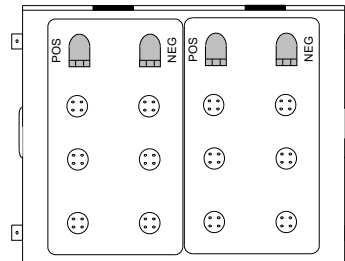
FILE NAME: BBA-3.tvw

## 4BS2000 BATTERY ENCLOSURE

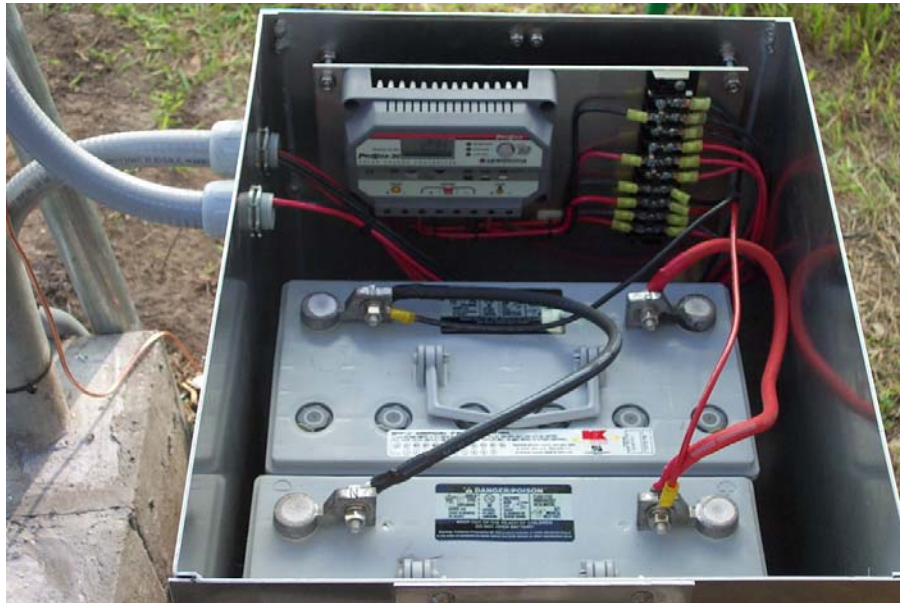


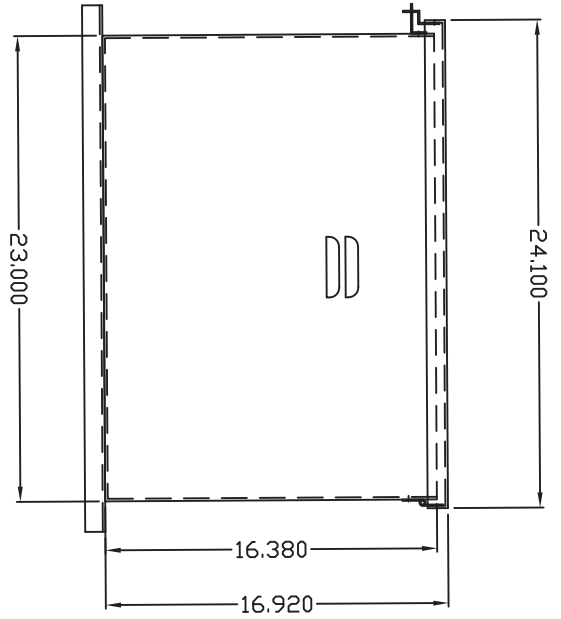
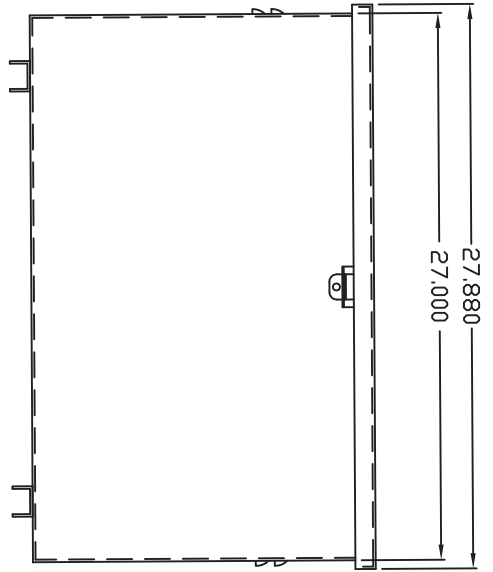
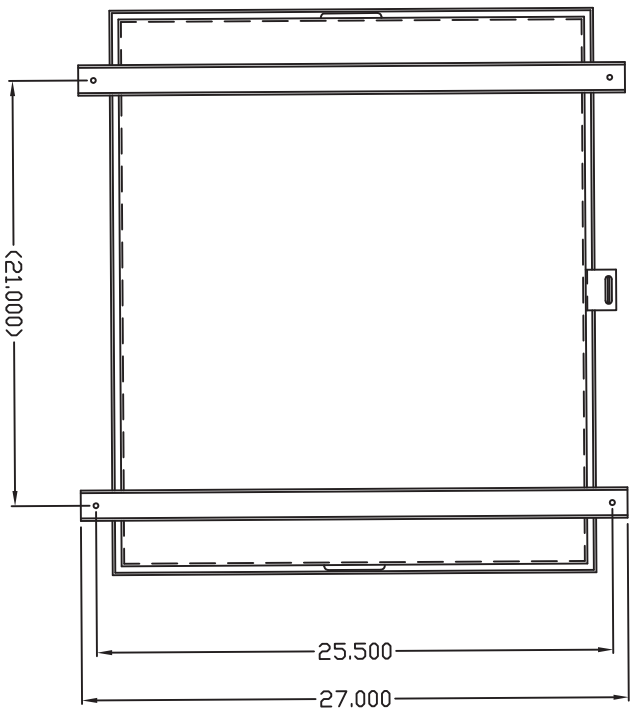


4 X MK8G27 BATTERIES



2 X MK8G8D BATTERIES

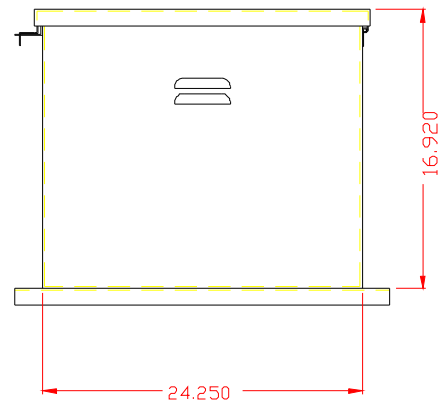
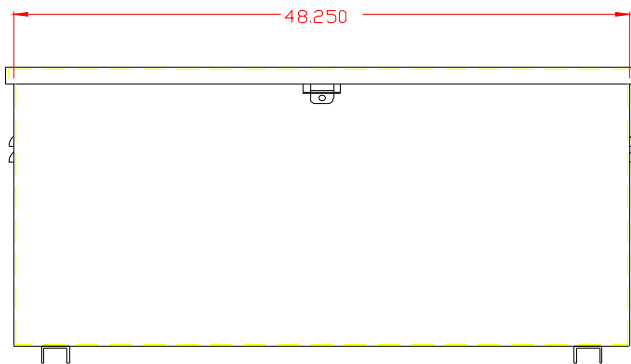
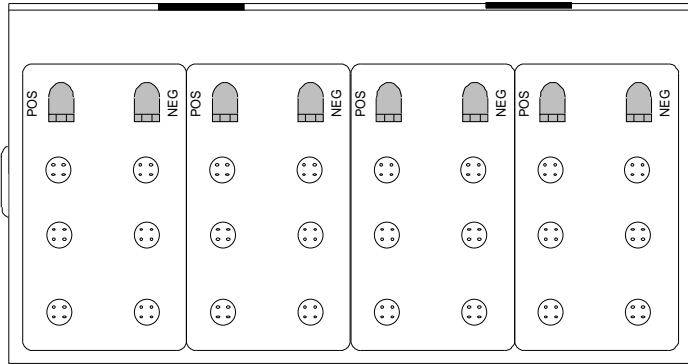




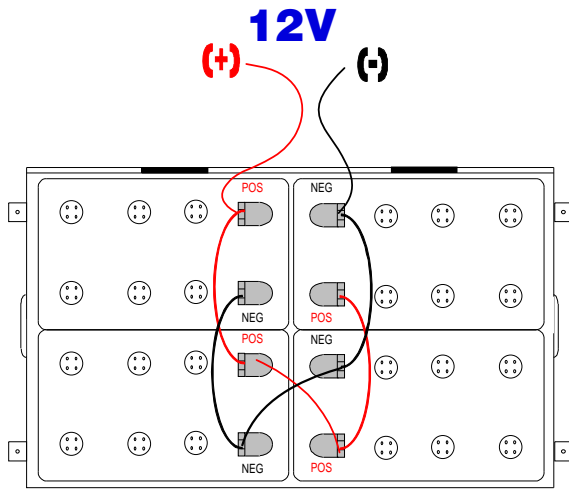
CHKD BY:		APP. BY:		P/N		007812		REV.		B	
DESCRIPTION:		17 X 27 X 23		SUBMITTAL		CUSTOMER:		MATERIAL:		0.125 ALUM.	
FINISH:		MILL		MATERIAL:		0.125 ALUM.		FINISH:		MILL	
AMERESCO SOLAR		Green • Clean • Sustainable		THIS PRINT FOR		SUBMITTAL PURPOSES ONLY		DRAWN BY:		DATE:	
JCH		1/6/07		JCH		5/11/07		JCH		1/6/07	
REV.	DESCRIPTION	BY	DATE								
A	RELEASE	JCH	1/6/07								
B	27.000 WAS 24.000, 23.000 WAS 24.000	JCH	5/11/07								

## BBA 10 BATTERY ENCLOSURE :



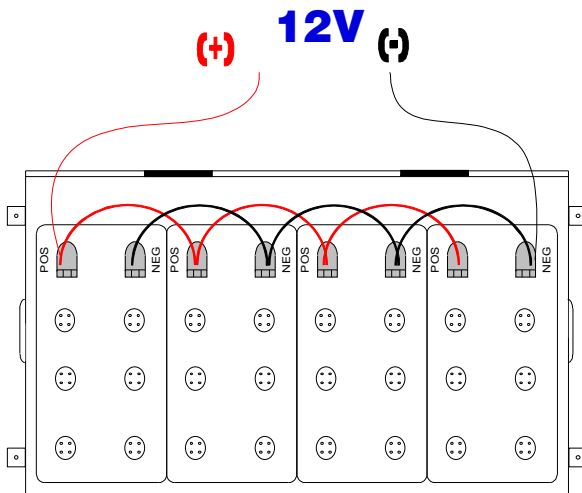


BBA-10 BATTERY ENCLOSURE



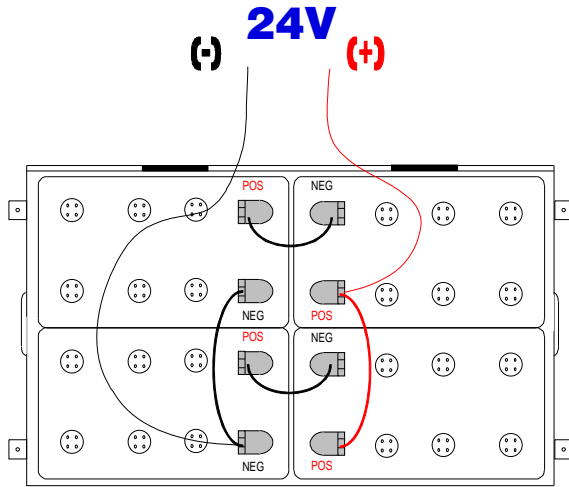
(PARALLEL CONNECTIONS)

#4-1 x 12" B-B CABLE  
#4-1 x 20" B-B CABLE



(PARALLEL CONNECTIONS)

#4-1 x 20" B-B CABLE

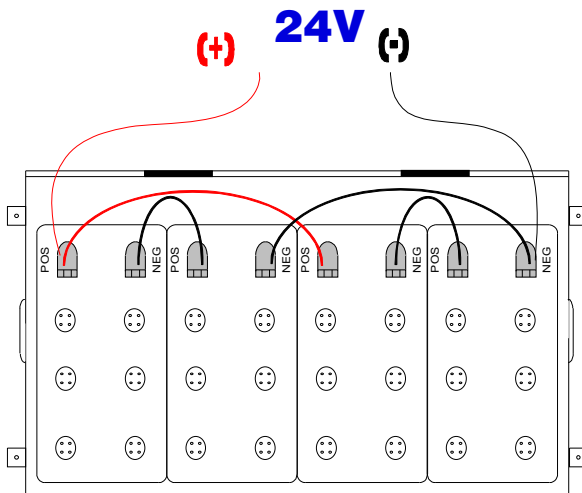


(SERIES CONNECTIONS)

- #4-1 x 9" B-B CABLE
- #4-1 x 12" B-B CABLE

(PARALLEL CONNECTIONS)

- #4-1 x 12" B-B CABLE
- #4-1 x 20" B-B CABLE

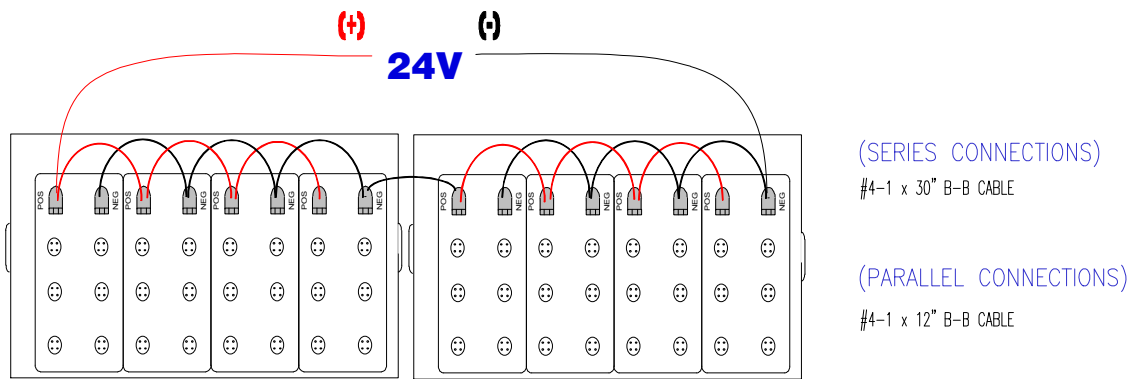
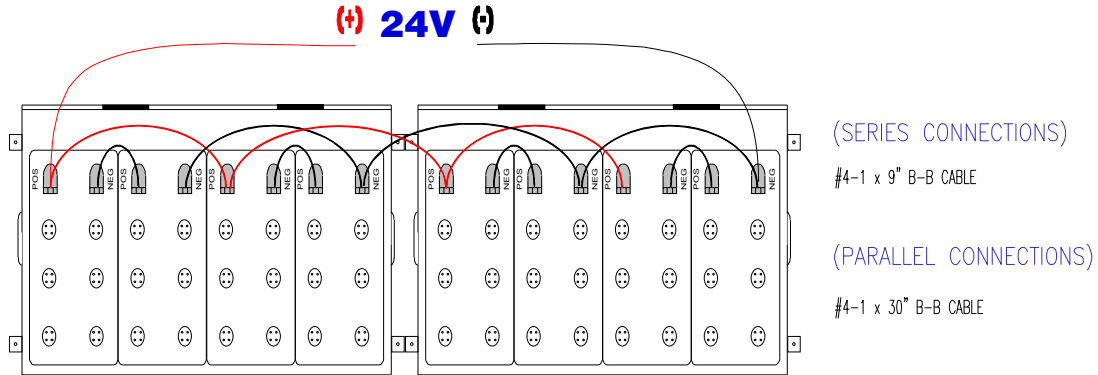


(SERIES CONNECTIONS)

- #4-1 x 9" B-B CABLE
- #4-1 x 12" B-B CABLE

(PARALLEL CONNECTIONS)

- #4-1 x 20" B-B CABLE







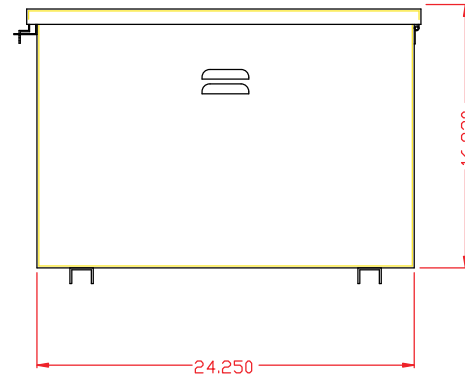
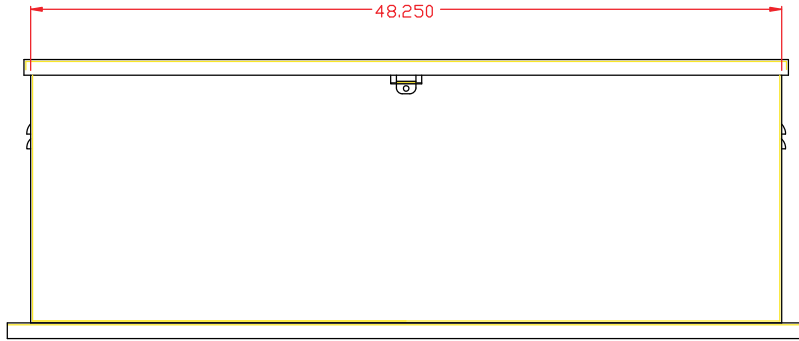


4

3

2

1



**AMERESCO SOLAR**  
Green • Clean • Sustainable

TITLE  
**BBA-10**

SIZE <b>B</b>	CAGE CODE	DWG NO	REV <b>1</b>
SCALE DO NOT SCALE		SHEET 1 OF 1	

PURCHASE ORDER NO.	N/A		
--------------------	-----	--	--

DOCUMENT CODE	N/A		
---------------	-----	--	--

DOCUMENT NO.	N/A	N/A	
--------------	-----	-----	--

**NOTES**  
Metal is 0.125" Aluminum

4

3

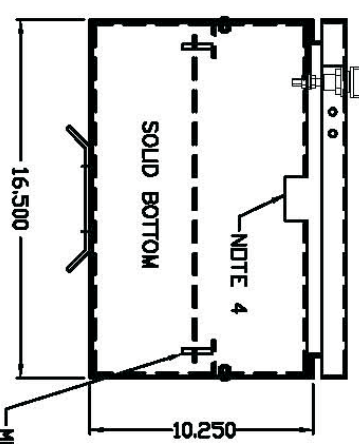
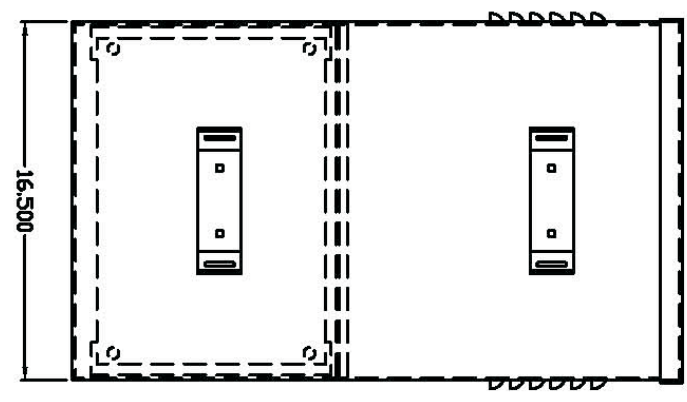
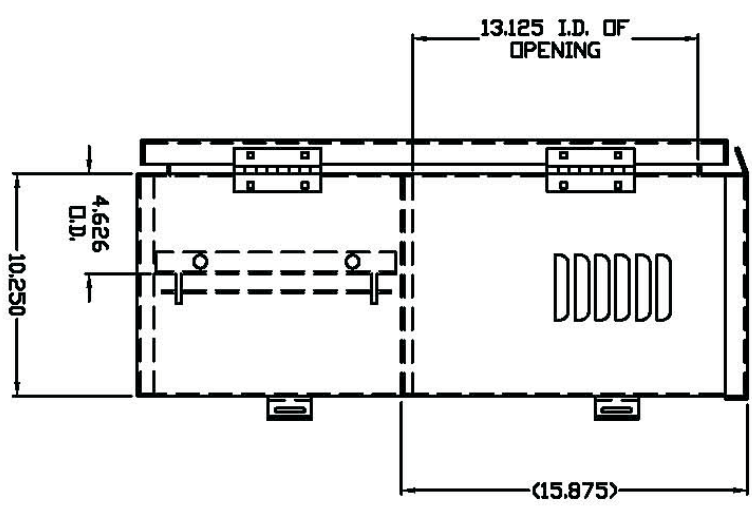
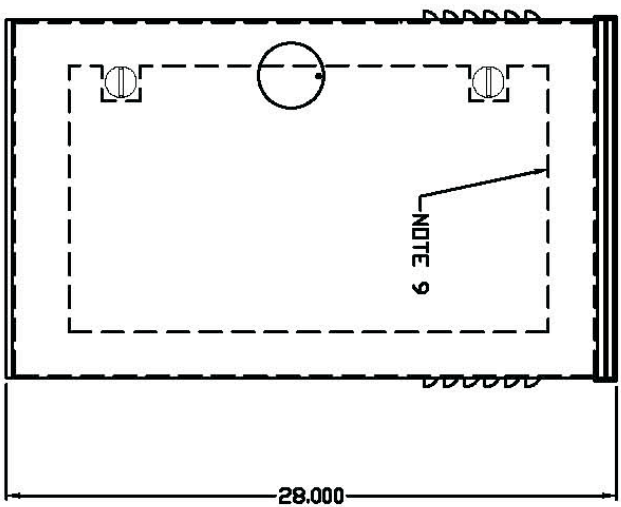
2

1

FILE NAME: BBA-10.dwg

## BP1/2 BATTERY ENCLOSURE





MOUNT BACK PANEL TO ANGLE BKTS THEN THE CABINET.

**NOTE:**

1. MATERIAL = .125 5052 ALUM
2. DOOR OPENING = 24.250 X 14.000
3. ONE (1) #1 POLICE LOCK PROVIDED
4. ONE (1) .125 THICK SHELVE WITH A 1" X 2" CUTOUT IN THE FRONT OF SHELF PROVIDED.
5. ONE 10.50 X 15.00 BACK PANEL PROVIDED IN THE LOWER COMPARTMENT
6. 1/2 X 2 GASKET PROVIDED IN THE DOOR
7. VENTILATED BY 3" LOUVERS ON EACH SIDE
8. 2 POSITION DOOR STOP SYSTEM
9. ONE 0.060 THK PVC PLASTIC SHEET IS GLUED TO THE INSIDE OF THE DOOR TO INSULATE FROM THE BATTERIES
10. DOUBLE FLANGED DOOR SEALS
11. TWO SOUTHCO LATCHES P/N E3-10-505-50

DESCRIPTION: BP1/2  
POLE MOUNT CAB  
CUSTOMER:

MATERIAL: NOTE 1

FINISH: MILL

AMERESCO SOLAR  
Green • Clean • Sustainable

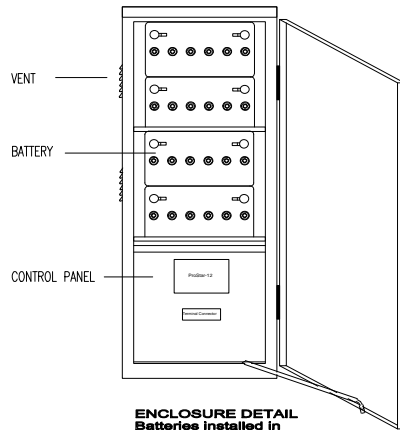
THIS PRINT IS INTENDED FOR SUBMITTAL PURPOSES ONLY

DRAWN BY: GEJ DATE: 04/30/08

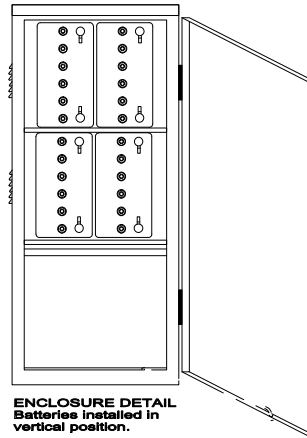
REV.	DESCRIPTION	BY	DATE
A	RELEASE	GEJ	04/30/08
B	NOTE 2: 24.25 WAS 40.00, NOTE 9: PVC WAS UHMW	SEG	9/15/08
C	LOWER SHELF 2", NOTE 5 10.50 WAS 12.50, ADD DIMENSIONS	SEG	1/8/09

CHKD BY: DATE: APP. BY: DATE:

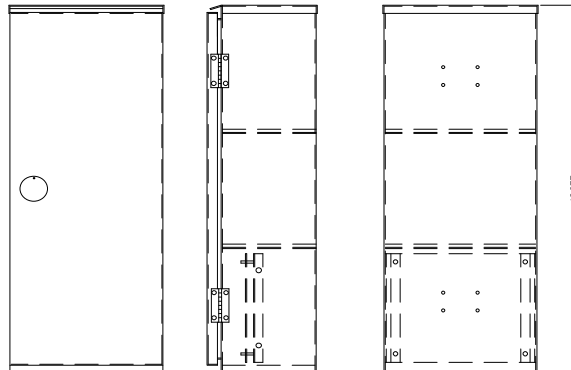
## BP2/6 BATTERY ENCLOSURE

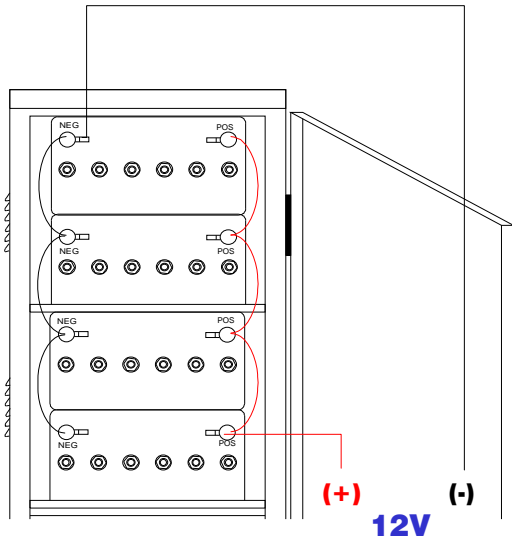


**ENCLOSURE DETAIL**  
Batteries installed in  
horizontal position.



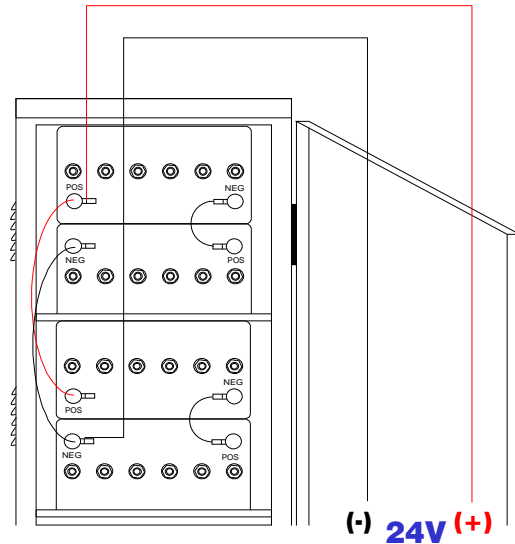
**ENCLOSURE DETAIL**  
Batteries installed in  
vertical position.





Battery wiring for 12V system

#4-1 x 20" B-B CABLE  
(PARALLEL CONNECTIONS)



Battery wiring for 24V system

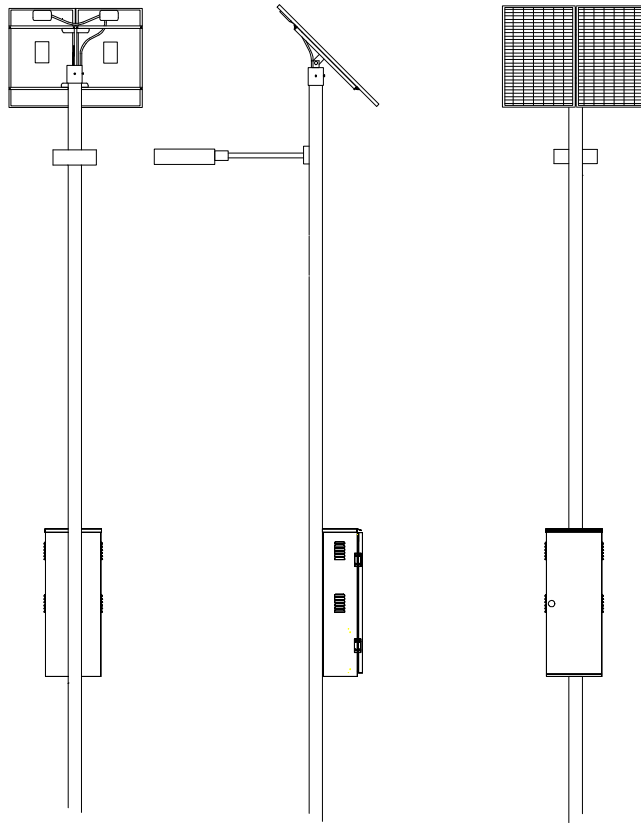
#4-1 x 9" B-B CABLE  
(SERIES CONNECTIONS)

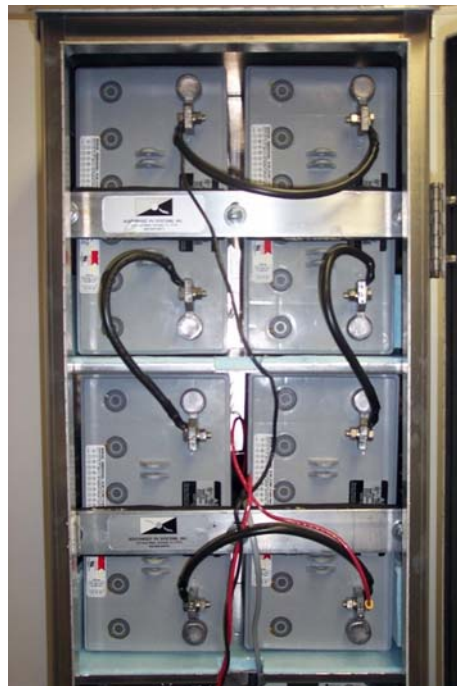
#4-1 x 20" B-B CABLE  
(PARALLEL CONNECTIONS)



# AMERESCO SOLAR

Green • Clean • Sustainable





## BP2/6+E BATTERY ENCLOSURE

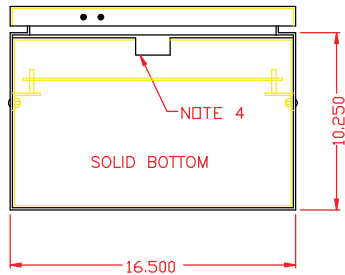
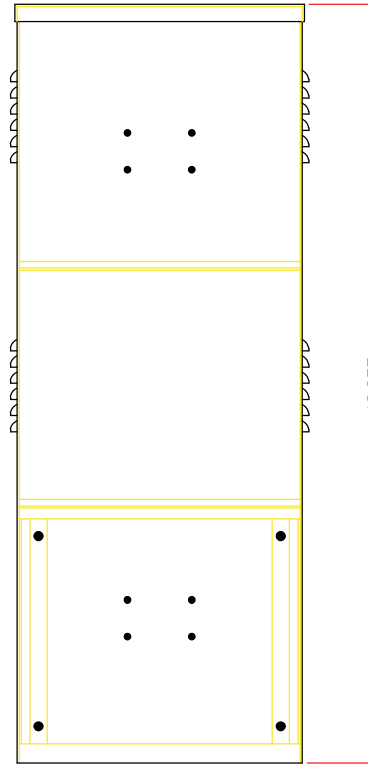
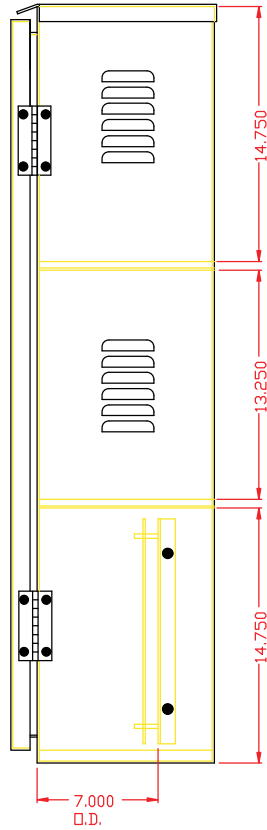
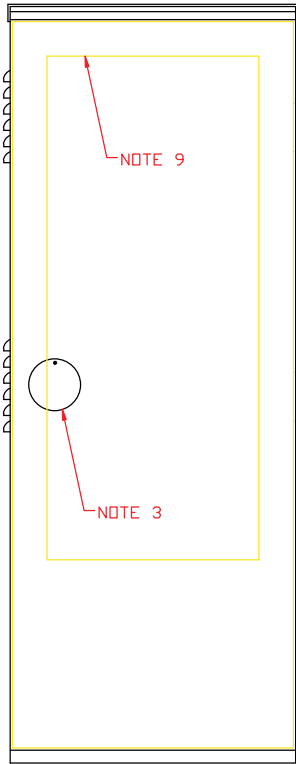


4

3

2

1



- NOTE:
1. MATERAIL = .125 5052 ALUM
  2. DOOR OPENING = 40.500 X 14.000
  3. ONE #1 PELCO LOCK PROVIDED
  4. TWO .125 THICK SHELVES WITH A 1" X 2" CUTOUT IN THE FRONT OF EACH SHELF PROVIDED.
  5. ONE 13.00 X 15.00 BACK PANEL PROVIDED IN THE LOWER COMPARTMENT
  6. 1/2 X 2 GASKET PROVIDED IN THE DOOR
  7. THE UPPER AND MIDDLE COMPARTMENTS ARE VENTILATED BY 3" LOUVERS ON EACH SIDE
  8. 90° AND 180° ANGLE DOOR STOP SYSTEM
  9. ONE 1/8 THK UHMW PLASTIC SHEET IS GLUED TO THE INSIDE OF THE DOOR IN FRONT OF TOP TWO COMPARTMENTS.
  10. ONE BLANK ACCESS BOX AT LOWER COMPARTMENT.

**AMERESCO SOLAR**  
Green • Clean • Sustainable

TITLE			
BP2/6 CABINET			
SIZE	CAGE CODE	DWG NO	REV
B			1
SCALE DO NOT SCALE		SHEET	1 OF 1
PURCHASE ORDER NO.		N/A	
DOCUMENT CODE		N/A	
DOCUMENT NO.		N/A	N/A

NOTES

4

3

2

1

FILE NAME: BP2-6.tdw

P/N 009033 REV. B

DESCRIPTION: BP2/6 + E POLE MOUNT CAB

CUSTOMER:

MATERIAL: NOTE 1

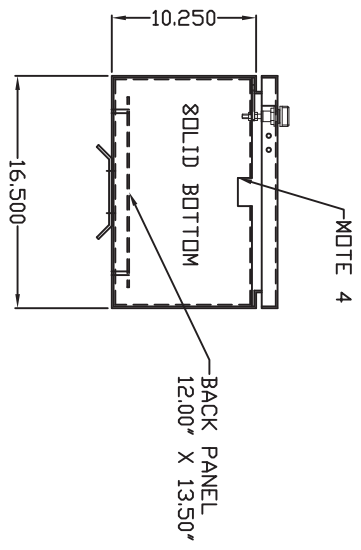
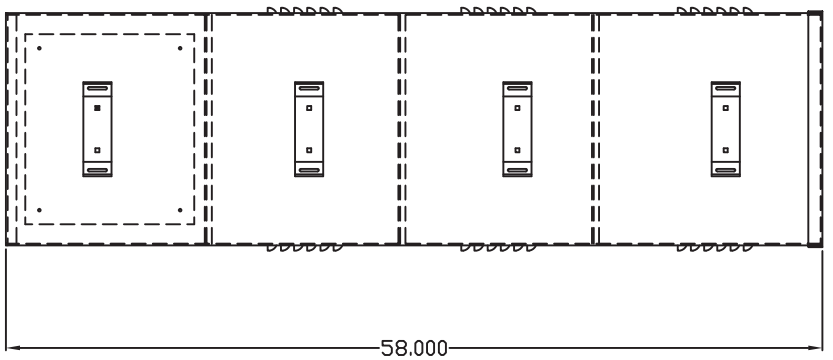
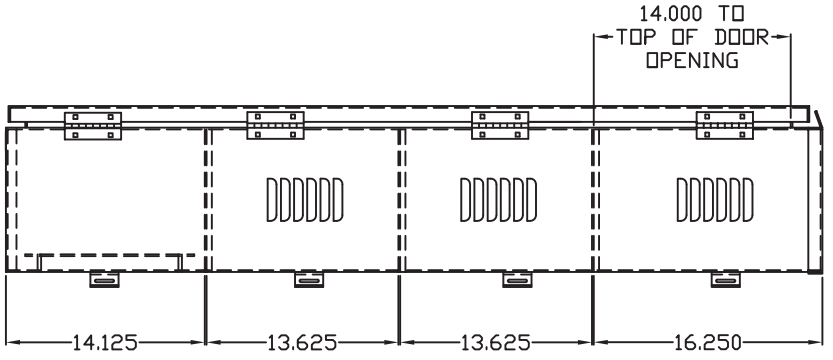
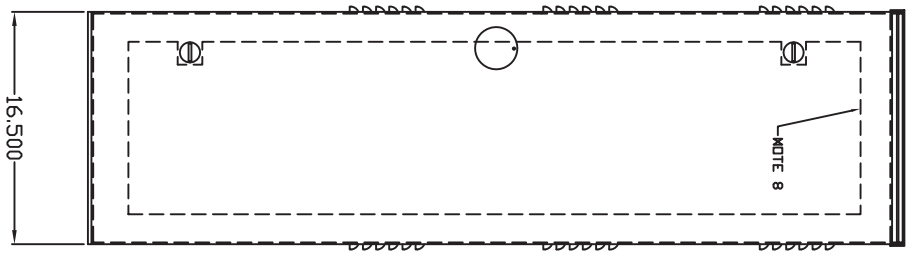
FINISH: MILL



THIS PRINT IS INTENDED FOR SUBMITTAL PURPOSES ONLY

DRAWN BY: SEG DATE: 4/29/08

CHKD BY:	DATE:	APP. BY:	DATE:
REV.	DESCRIPTION	BY	DATE
A	RELEASE	SEG	4/29/08
B	NEW DESIGN	SEG	5/7/08



NOTE:

1. MATERIAL = .125 5052 ALUM
2. DOOR OPENING APPROX. = 54.250 X 14.000
3. ONE #1 POLICE LOCK PROVIDED
4. THREE (3) .125 THICK SHELVES WITH A 1" X 2" CUT OUT IN THE FRONT OF EACH SHELF PROVIDED.
5. 1/2 X 2 GASKET PROVIDED IN THE DOOR
6. ALL COMPARTMENTS, EXCEPT THE LOWER ARE VENTILATED BY 3" LOUVERS ON EACH SIDE
7. 2 POSITION DOOR STOP SYSTEM
8. ONE (1) .060 THK UHMW/PVC PLASTIC SHEET IS GLUED TO THE INSIDE OF THE DOOR TO INSULATE FROM THE BATTERIES
9. DOUBLE FLANGED DOOR SEALS
10. TWO (2) SOUTHCO 1/4 LATCHES P/N E3-10-505-50
11. ONE (1) .125 ALUM BACK PANEL APPROX. 12.00 X 13.50 IN THE LOWER COMPARTMENT.
12. FOUR (4) STANDARD POLE MOUNT BRACKETS.

## TGPL-1 BATTERY ENCLOSURE

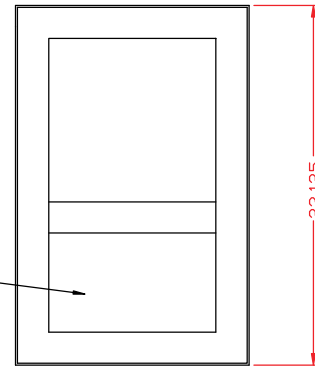
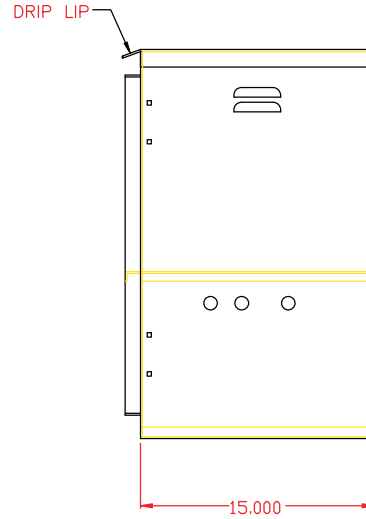
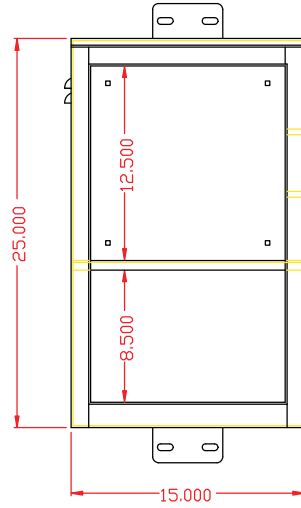
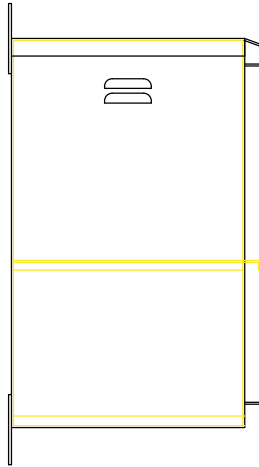


4

3

2

1



INSIDE VIEW OF DOOR

NOTE:

- 1. CABINET IS POLE MOUNTABLE
- 2. SST HINGES
- 3. 1/8 THICK BACK PANEL 12 1/4 X 12 1/4
- 4. PLASTIC SHEET, ON DOOR IN, BATTERY COMPARTMENT
- 5. ALL SST HARDWARE
- 6. SST HASP PROVIDED
- 7. BATTERY COMPARTMENT IS NEMA3R. EQUIPMENT COMPARTMENT IS NEMA 4X TYPE.

NOTE 4

<b>AMERESCO SOLAR</b> Green • Clean • Sustainable			
TITLE <b>TGPL-1 BATTERY / EQUIPMENT ENCLOSURE</b>			
SIZE <b>B</b>	CAGE CODE	DWG NO	REV <b>FA.0</b>
SCALE DO NOT SCALE		SHEET 1 OF 1	
PURCHASE ORDER NO.		N/A	
DOCUMENT CODE		10	
ITEM No.	003		

NOTES

4

3

2

1

## TGPL-3 BATTERY ENCLOSURE

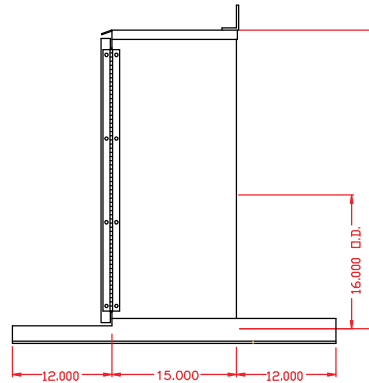
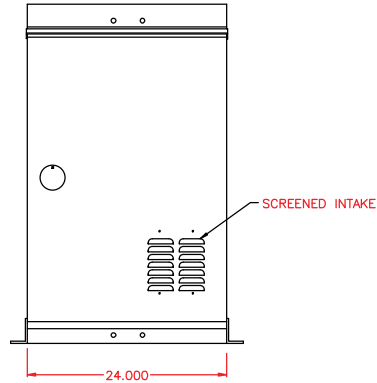
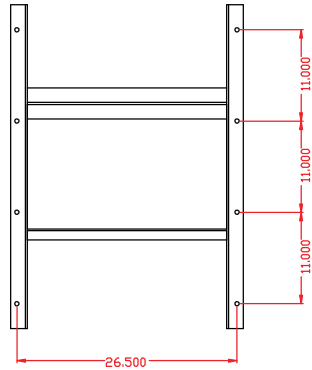


4

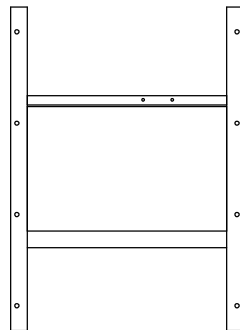
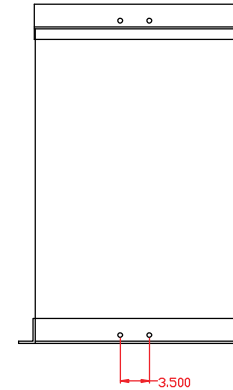
3

2

1



21.750 X 17.000 BACK PANEL



- NOTE:**
1. ENCLOSURE DIMENSIONS: 36H X 24W X 15D
  2. MATERIAL TO BE .125 5052 ALUM
  3. FINISH: WHITE POWDER COAT (OUTSIDE)
  4. FULL LENGTH STAINLESS STEEL HINGE.
  5. DOOR SEALED WITH 1/2" X 2" (12.7 X 50.8) GASKET
  6. LATCHING SYSTEM: CORBIN #1 LOCK
  7. DOOR STOP PROVIDED ON BOTTOM OF DOOR

**NOTES**

**AMERESCO SOLAR**  
Green • Clean • Sustainable

TITLE				TGPL -3			
SIZE	CAGE CODE	DWG NO		SHEET		REV	
B				1 OF 1		1	
SCALE				DO NOT SCALE			
PURCHASE ORDER NO.		N/A		DOCUMENT CODE		N/A	
DOCUMENT NO.		N/A	N/A				

FILE NAME: EGPO.txd

4

3

2

1

## TGPL-4 BATTERY ENCLOSURE





P/N 010270 REV. B

DESCRIPTION: 46 X 27.5 X 25 SUBMITTAL

CUSTOMER:

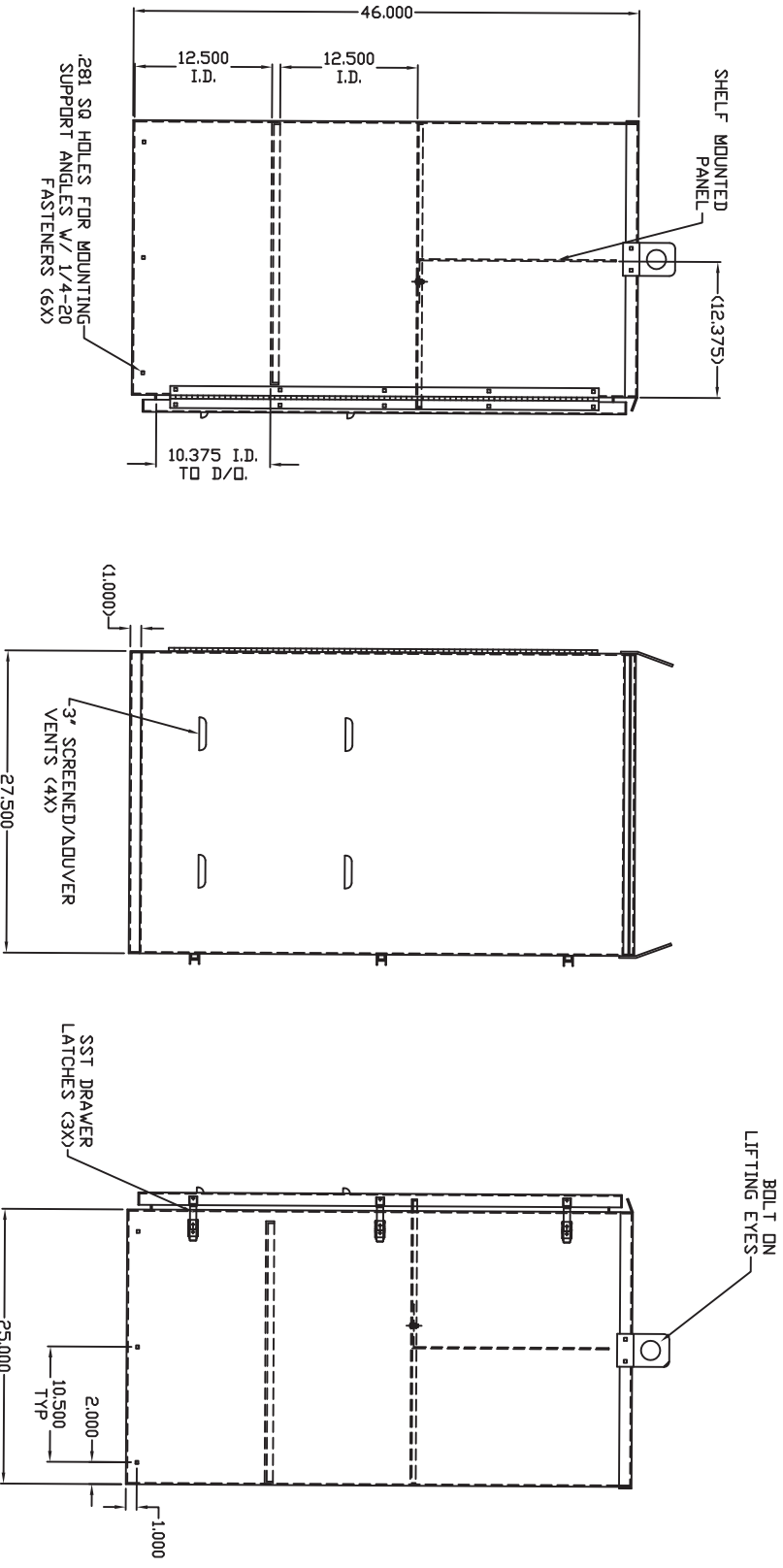
MATERIAL: SEE NOTE 2

FINISH: MILL



DRAWN BY: SEG DATE: 4/23/09

REV.	DESCRIPTION	BY	DATE
A	RELEASE	SEG	4/23/09
A	46 X 27.5 X 25 WAS 54 X 30 X 24, 10.375 WAS 12.438, 12.50 WAS 14.563	SEG	5/4/09



- NOTE:
1. MANUFACTURED TO NEMA 3R SPECIFICATIONS
  2. MATERIAL: CABINET .125 ALUM, DOOR: .090 ALUM
  3. FREE STANDING CONFIGURATION
  4. WELDED CONSTRUCTION / SEALED SEAMS
  5. THREE (3) SST PAD LOCKABLE DRAWER LATCHES
  6. SST FULL LENGTH HINGE AND HARDWARE
  7. 1/2" X 2" CLOSED CELL NEOPRENE GASKET
  8. DOUBLE FLANGED DOOR OPENING
  9. TOP SHELF FULL PERIMETER WELD AND SEALS SEPARATE FROM BOTTOM COMPARTMENT W/ BOLT ON SUB PANEL APPROX. 18.00H X 25.50W.
  10. ONE (1) H.D. BATTERY SHELF .187 ALUM FULL SEAM WELDED
  11. SCREENED/LOUVER VENTS ON DOOR
  12. BOLT ON LIFTING EYES
  13. MOUNTING HOLES SUPPLIED ON CABINET SIDES.
  14. SHIPPING PALLET WITH PROTECTIVE WRAPPING