

CS3820

ISOMAG



FLOMOTION
SYSTEMS

COMPACT BATTERY-POWERED INSERTION ELECTROMAGNETIC FLOW METER

Combines reliable full-pipe flow measurement with low-cost, compact size and ease of installation.



TYPICAL APPLICATIONS

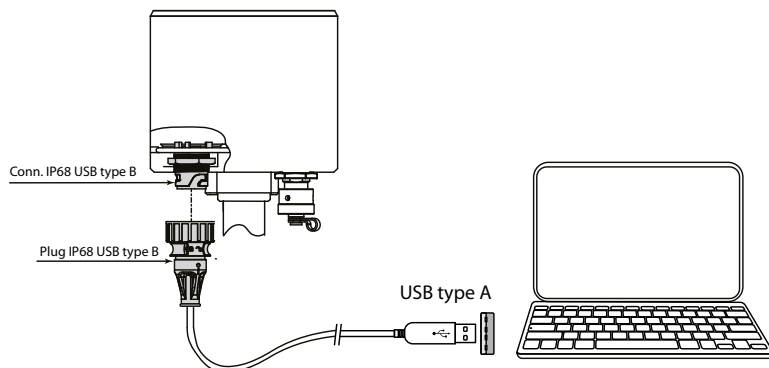
- Water
- Polymers
- Wastewater
- Lime Slurries
- Dyes
- Process Chemicals
- Brine
- Caustics
- Slurries
- Acids
- Starches
- Paper Stock

CS3820 CONVERTER FEATURES

- Power: 2 Lithium Batteries, non-rechargeable
- Greater than 15 year battery life possible
- Interface: 4 Pin MIL connector
- Two digital outputs
- Eeprom program storage
- Rugged 316 stainless steel enclosure
- Programmed via USB port
- Optional Pressure Measurement

CS3820 SENSOR FEATURES

- Accuracy to $\pm 2\%$ of rate from 1 to 33 ft/sec.
- Six sizes for up to 80" Pipe Diameters
- Pressure: 360 PSI
- Installs through standard 1" NPT connection
- Can be installed in pressurized lines
- Volumetric flow rate measurement independent of fluid viscosity, density and temperature
- No moving parts for zero maintenance
- Bi-directional flow measurement
- Every sensor is factory wet-calibrated

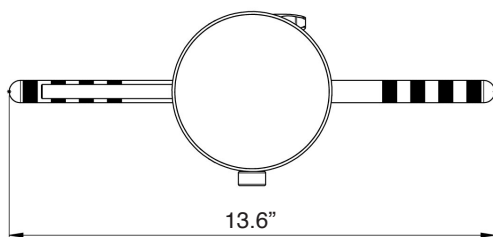
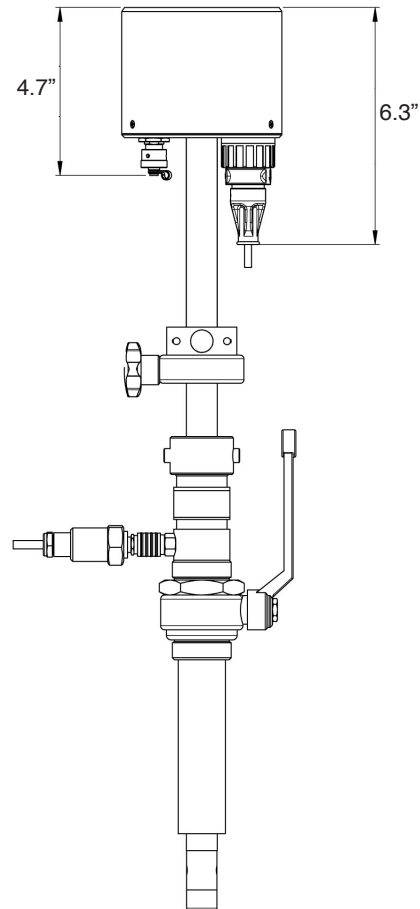
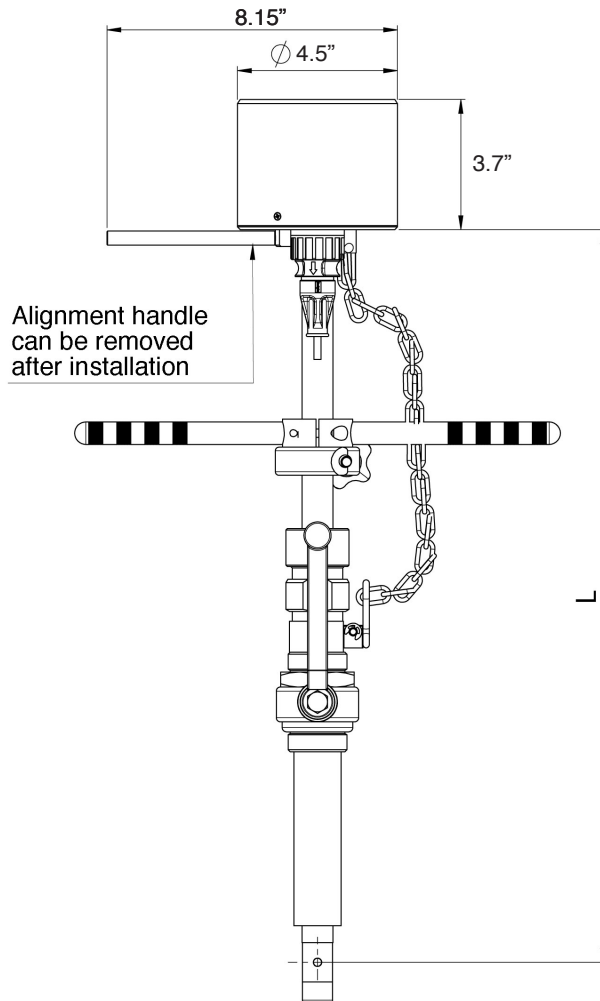


ELECTROMAGNETIC FLOWMETER

FLOMOTION CS3820 ENGINEERING SPECIFICATIONS

- Accuracy: 2.0%
- Repeatability: $\pm 0.5\%$
- Temperature (Process): 32 to 140°F
- Pressure: 360 PSI
- Environmental Rating: NEMA 6P (IP68)
- Fluid Conductivity: 20 $\mu\text{S}/\text{cm}$ (min)
- Sensor material: PEEK / FPM Electrodes in SS.
- Process Connection: 1" threaded end

DIMENSIONS



SIZE	MAX INSERTION DEPTH	L
Size 0	6"	20"
Size 1	12"	26"
Size 2	20"	34"
Size 3	28"	42"
Size 4	40"	54"
Size 5	80"	93"

FLOMOTION SYSTEMS Inc.

3 North Main St.
 Middleport, NY 14105
 Tel: 716-691-3941
 Fax: 716-691-1253
 Email: info@flomotionsystems.com
www.flomotionsystems.com

